

EDK2B-KPA



EDK2-KPA

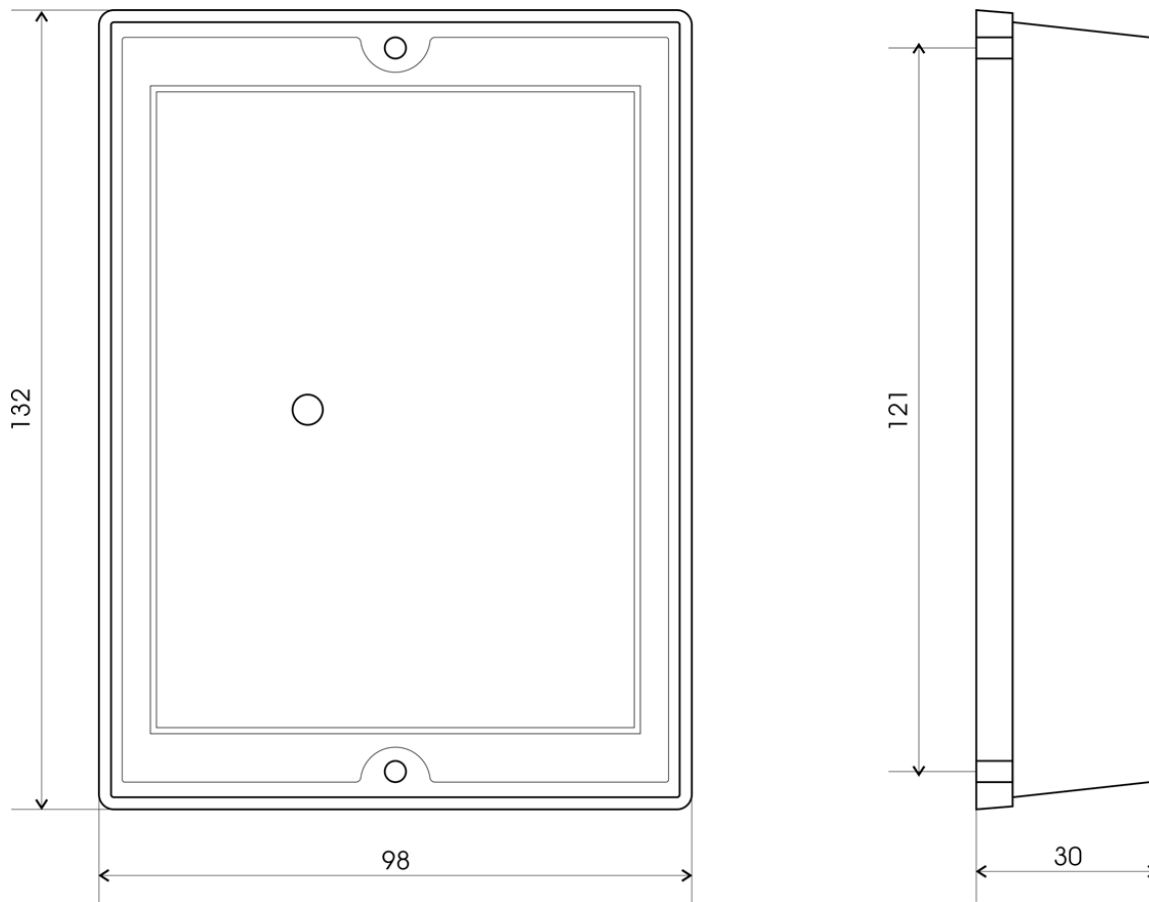
Both contactless media and contact chips reader for outdoor use. Very resistant to damage due to special matter filling the casing of the reader.

Casing IP 56 enables direct use of the reader outdoors. Increased reading distance (up to 20 cm) – device is suitable for parking entries and similar deployment. Fitted on any surface.

Optional output data format ACS-line or WIEGAND, desired mode is selectable directly on the device.

Product Code	Description
EDK2-KPA	Contact DALLAS Chips Reader, vandal-proof construction
EDK2B-KPA	Contactless Reader, vandal-proof construction

TECHNICAL SPECIFICATION



Type designation	EDK2-KPA	EDK2B-KPA
Power Supply	DC 12V	DC 12V
Input Current	70 mA @ 12V	70 mA @ 12V
ID medium	Dallas	contactless
Size (h x w x d)	132 x 98 x 30 mm	132 x 98 x 30 mm
Casing	IP 55	IP 55
Working temperature	-25 °C to +65 °C	-25 °C to +65 °C
Data output	RS232 TTL (ASCII), Wiegand 26Wiegand 26	RS232 TTL (ASCII), Wiegand 26Wiegand 26
Connection length	max. 10 m, for wiegand max. 20 m	max. 10 m, for wiegand max. 20 m
Color design	black, gray	black, gray