



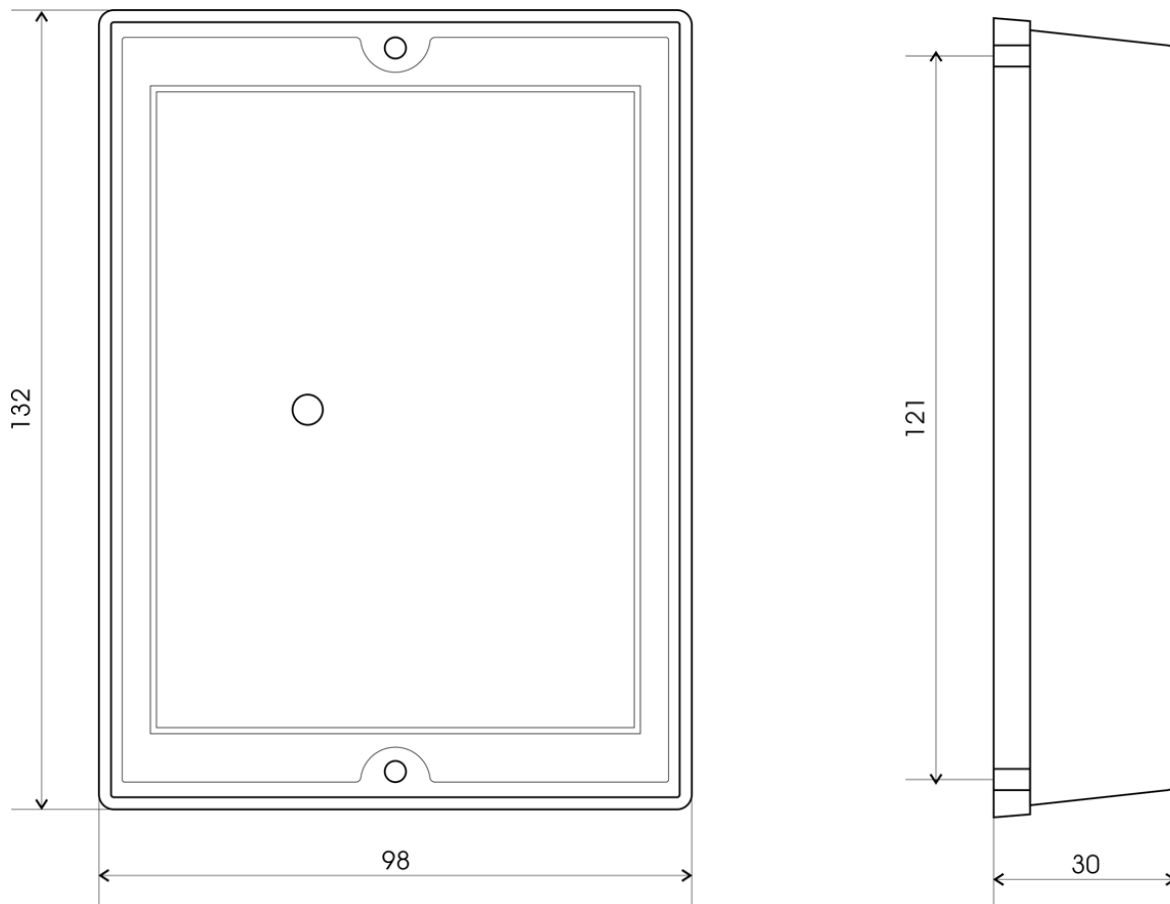
EDK2-F

Fingerprint reader for access systems. Optical sensor and advanced algorithm guarantee highly reliable and fast evaluation.

Always works in cooperation with processing unit, such as AL40. Possibly fitted on any surface, solid construction enables outdoor use, device must, however, be protected against water.

Product Code	Description
EDK2-F	Fingerprint Reader
EDK2-F-W	Fingerprint Reader, WIEGAND output

## TECHNICAL SPECIFICATION



Type designation	EDK2-F
Power Supply	DC 10 - 15V
Input current	Max 150 mA @ 12V
ID medium	biometric
Size (h x w x d)	132 x 98 x 30 mm
Weight	220 g
Casing	IP 50
Working temperature	-20 °C to +50 °C
Storage temperature	-40 °C to +65 °C
Indication	LED, PIEZO
Length connection	max. 10 m, pro wiegand max. 20 m
Color options	Black, gray
Montage	Partially sunk into the wall